

SERIES: LO-CTK/N (SPLIT CORE)

ROUND SPLIT CORE ZERO SEQUENCY CURRENT TRANSFORMER

Descriptions:

The split core current transformer is mainly used in the cable circuit environment. Its structure is simple, small in size, flexible in application, and well fit the cable specifications used in the main circuit. The diameter of the through-hole of this series is from 30mm~200mm, the main circuit current contains 63A~2000A. This series of products can meet the technical requirements of different precisions such as 0.2, 0.5, and 1. At the same time, it can meet the stringent requirements of the new national standard for balance characteristics. The unbalanced current output value can also be better than 30mA, 10mA, 5mA. Even 3mA greatly reduces the false alarm caused by the main circuit current magnetic field interference, which provides sufficient guarantee for the reliable of the equipment. Excellent and advanced production process. To ensure the accuracy level, reliability and other technical requirements, this series of products meet the requirements of GB-14287.2-2005 and GB14287.2-20140.

Features:

- Easy to install , manually open angle up to 70°.
- Center through core structure and the flame retardant epoxy resin are poured and have good stability
- Using high magnetic nickel steel or nanocrystalline, excellent linearity, high sensitivity.
- Excellent balance characteristics, and has strong resistance to electromagnetic interference

Usage:

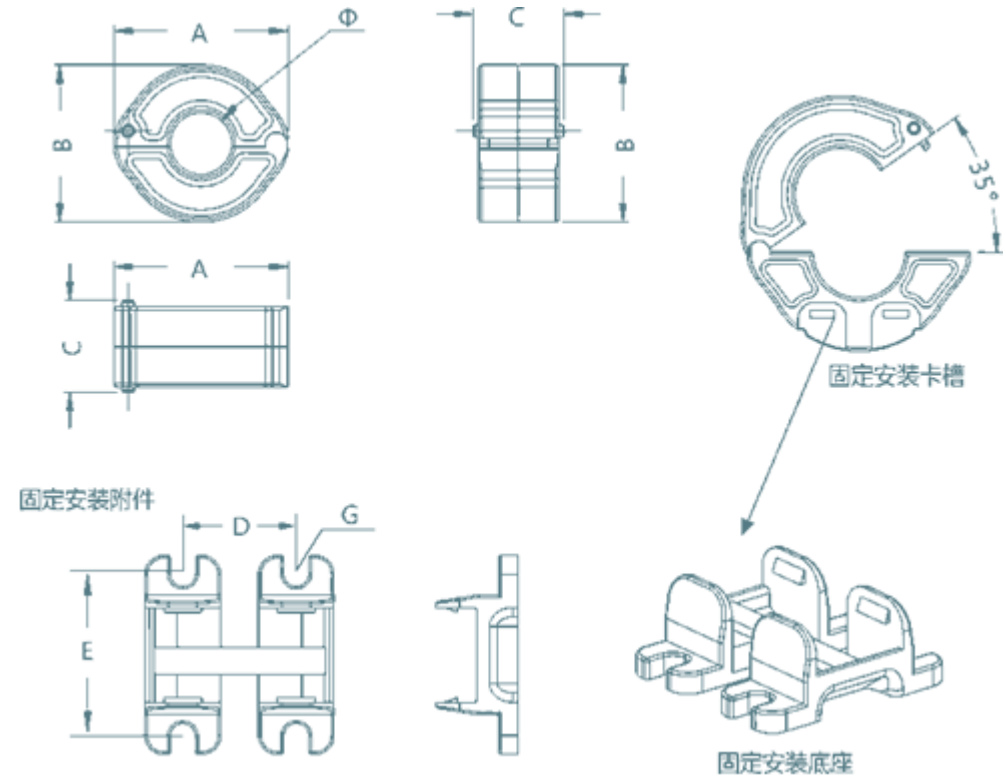
Electrical fire monitoring, fire prevention system, smart power system, small current grounding system, electromagnetic relay, computer protection ,etc.

Electrical specifications:

Electrical specifications		Mechanical specifications	
Frequency	50-400HZ	Case	ABS Material
Rated input	0-1A	Bobbin	PBT
Measuring range	10%IN-130%IN	Core	Permalloy or Nanocrystal
Rated output	0-1V or 0-2.5mA	Inter structure	Resin cast
Ratio error	≤±0.1%	Fix	Screw
Phase error	≤10'	Operation temperature	-12℃~+45℃
Dielectric	AC2.5KV1mA/60S	Ambient	≤85%
Insulation resistance	DC500V/1000MΩ	Connection	Terminal /lead wire 1.5M

P/N	INPUT (A)	OUTPUT (mA/v)	Accuracy	θ	DIMENSIONS(mm)		
					A	B	C
LO-CTK/N-20	0~1A	0~1V(0.5 mA)	0.1	30	87.5	67.5	28
LO-CTK/N-40			0.2	45	108.5	83.5	28
LO-CTK/N-60			0.5	65	129.5	105	30
LO-CTK/N-80			1.0	80	159.5	128	32

Dimensions:



Expanding possibilities

www.ctsensorducer.com

www.wxliou.com