

APPROVAL SHEETS

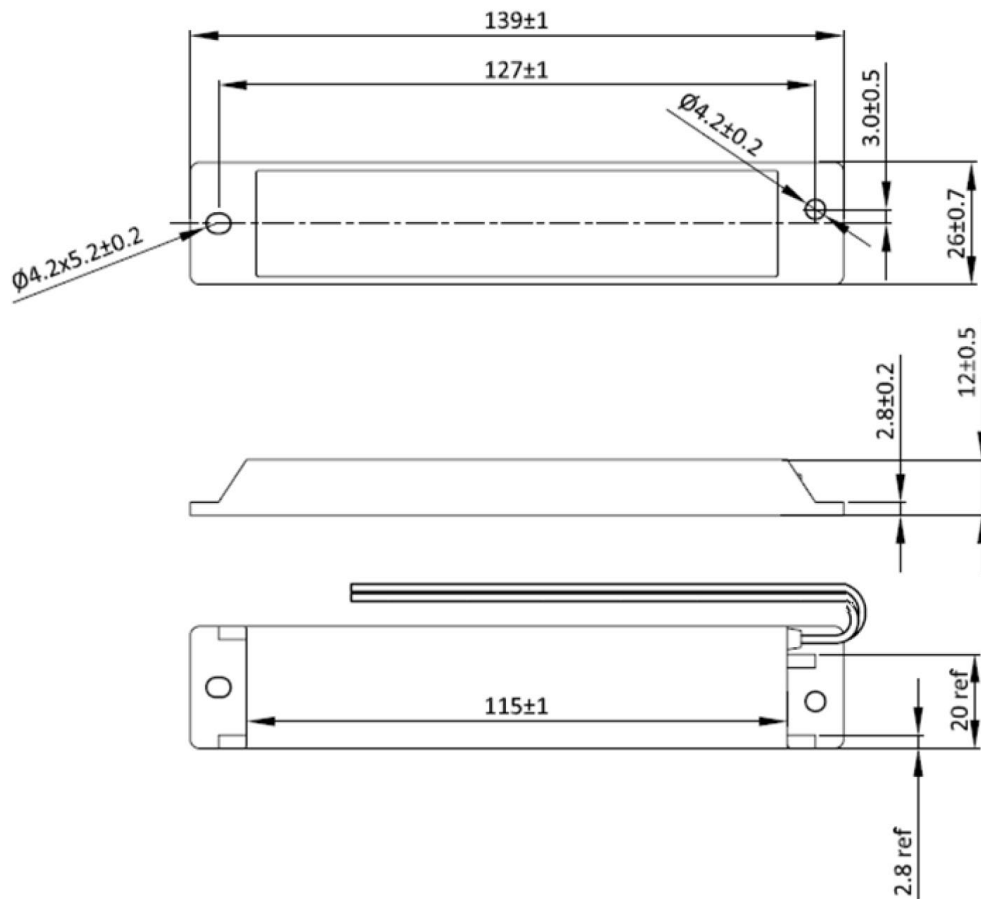
Customer	
Customer Part Number	
Part Number	LO-AT-0500J
Product Description	491uH/125KHz ANTENNA
Edition	REV A

Supplier			Customer
Approval	Check	Design	Approval

Website: www.ctsensorducer.com
 E-mail: currentsensor@126.com

Part Number	Description	Edition
LO-AT-0500J	491uH/125KHz	REVA
Customer PN(/Description)	Date	Pages
	2021-05-06	1 / 1

1. Dimensions (unit: mm)



备注: 引出线 : UL2468 AWG24 黑色排线 线长 150±15mm,末端不去皮。

2. Schematic diagram



3. Electrical specifications

S/N	Description	Electrical specifications
1	Inductance L@125KHz · 1 Vac/ 25°C	491μH ± 3%
2	Resonant Frequency F0@25°C	125KHz ± 3.125KHz
3	Impedance	8.0ΩMAX
4	Operation temperature	-40 °C - +85 °C
5	Storage temperature	-40 °C - +85 °C

Remark : Equipment & Test condition : LCR meter @ 125 kHz, 1Vac /25° C

4. Marking

Content: P/N Date Code

Laser marking: LO-AT-0500J YY/WW