

APPROVAL SHEETS


Customer	
Customer Part Number	
Part Number	LO-LM101-1
Product Description	Dual core current measuring & leakage current detection
Edition	REV A

Supplier			Customer
Approval	Check	Design	Approval
Eric Yue	Jon Wong	Jason Xi	

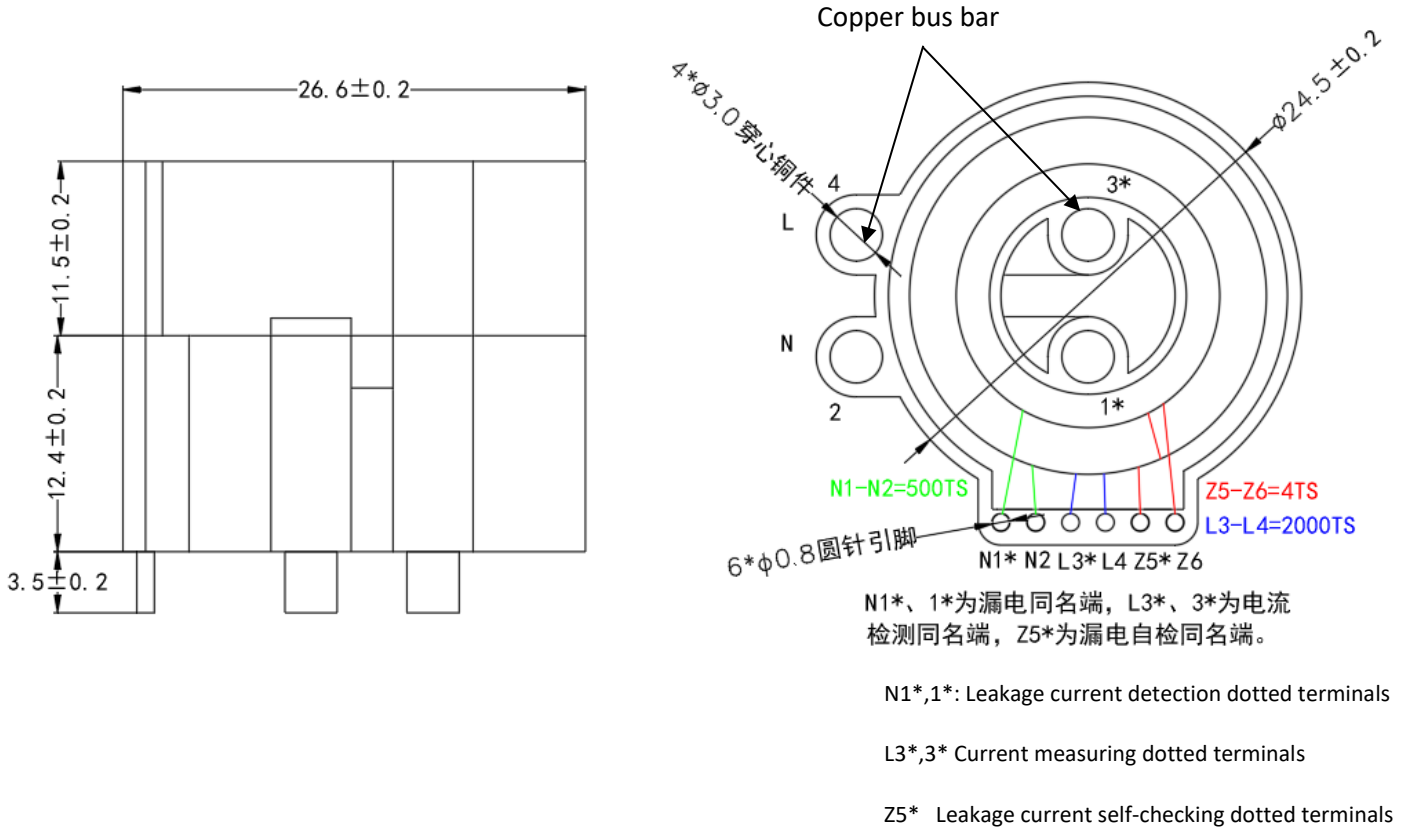
Please return one copy after approved

www.ctsensorducer.com

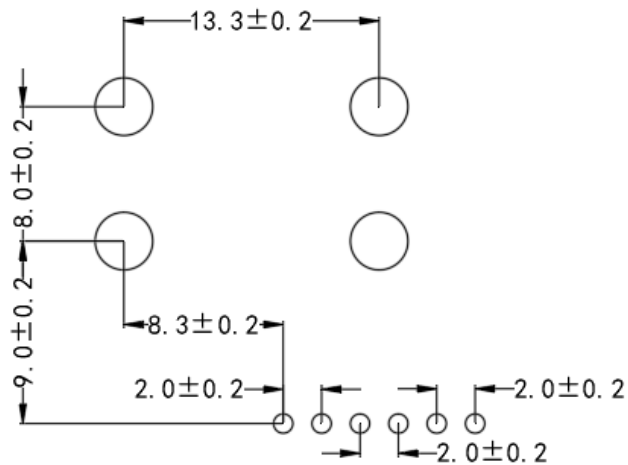
Email: currentsensor@126.com


	Part Number	Description	Edition	
	LO-LM101-1	Dual core current measuring & leakage current detection	REVA	
	Customer PN(/Description)		Date	Pages
			2023-05-13	1 / 3

1. Dimensions (unit: mm)

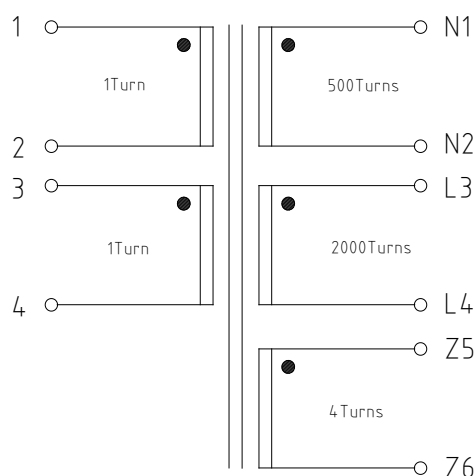


Recommended land pattern:(mm)




	Part Number	Description	Edition	
	LO-LM101-1	Dual core current measuring & leakage current detection	REVA	
	Customer PN(/Description)		Date	Pages
			2023-05-13	2 / 3

2. Schematic diagram



3. Electrical specifications

LO-LM101-1 Series current transformer			
Items	Specifications		Unit
Turns ratio	2000:1(Current measuring)	500:1(Leakage current detection)	/
Rated input current	40A (Nominal)	5mA~1A	/
Rated output current	20mA	10μA~2mA	/
Rated load	50	50	Ω
Accuracy class	0.2	0.2	Class
Linearity range	0~60	0~10	A
Assembly method	Copper bus bar for primary input, pins for secondary output		/
Features	Fully encapsulated design, excellent resistance for moisture and vibration, excellent dielectric strength performance		
	High accuracy class, excellent consistency		
	Flexible assembly, wide input current range with excellent linearity		
Suitable for power network instruments, power transmitters, ammeters, measurement and control devices			

	Part Number	Description	Edition	
	LO-LM101-1	Dual core current measuring & leakage current detection	REVA	
	Customer PN(/Description)		Date	Pages
			2023-05-13	3 / 3

4. Recommended connection circuit

