

# SPLIT CORE CURRENT TRANSFORMER SP-LO-T10

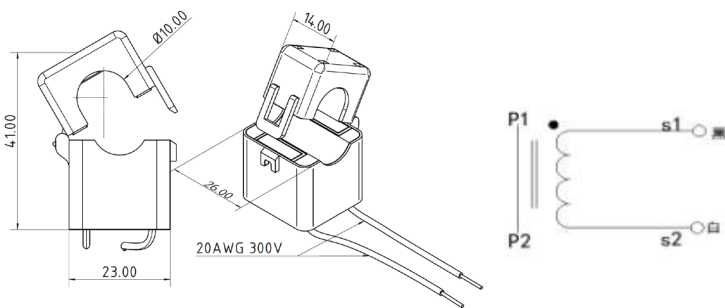
## PICTURES



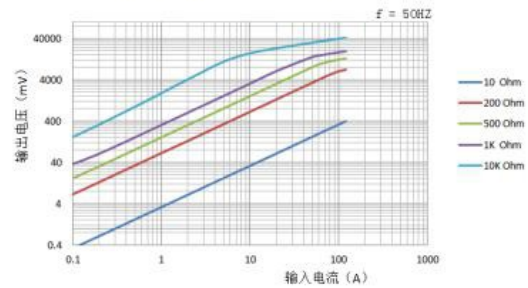
## FEATURES:

- Easily opened and closed design makes it easy to install and disassemble
- Operation current range 0.1A-80A.
- Standard GB20840/ICE61869 compliant
- Built-in Voltage regulator device to avoid high voltage of secondary
- The length of secondary lead wire can be customized
- Current in mA level or safety low voltage 0.333V can be selected for output

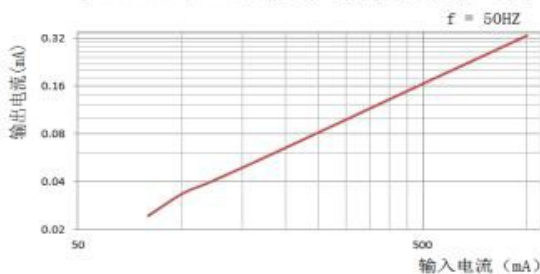
## Dimensions & Specification Plots



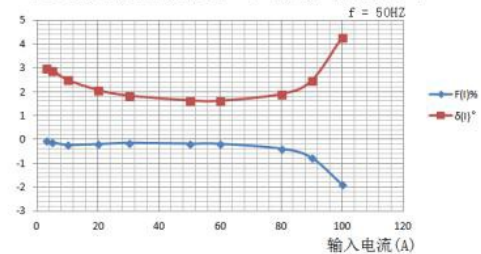
[ SCT0010(3000T) 不同负载输出特性 ]



[ SCT0010(3000T) 低端电流性能曲线 ]



[ SCT0010(3000T, Rb=10Ω) 性能曲线图 ]



## Electric Specifications

P/N	LO-010-000	LO-010-005	LO-010-010	LO-010-020	LO-010-050
INPUT CURRENT	0~80A	0~5A	0~10A	0~20A	0~50A
OUTPUT SIGNAL	0~33.3mA	0~2.5mA	0~5mA	0~10mA	0~20mA
P/N	LO-010-075	LO-010-005	LO-010-030	LO-010-050	LO-010-080
INPUT CURRENT	0~75A	0~5A	0~30A	0~50A	0~80A
OUTPUT SIGNAL	0~25mA	0~0.333v	0~0.333v	0~0.333v	0~0.333v

## Remarks

Top right curve plot shows the current transformers' output characteristics under different load conditions, 100Ω Max for load resistor is suggested. Middle right curve plot shows the current transformers' output characteristics at very low current value. It can be seen from the plots that CT has excellent output performance when current is above 0.1A.

# SPLIT CORE CURRENT TRANSFORMER SP-LO-T16

## PICTURES

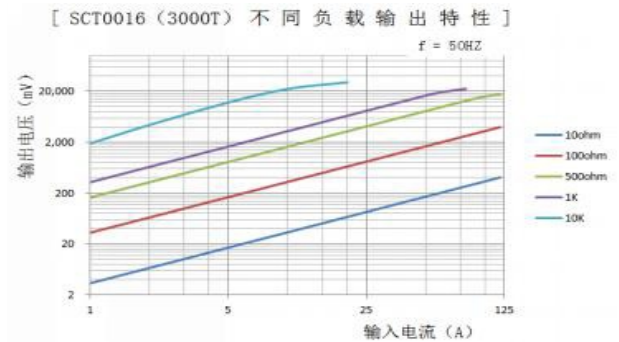
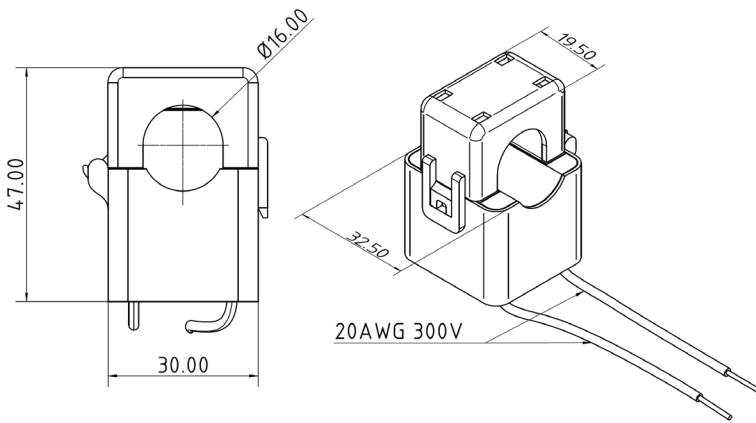
## FEATURES:



- Easily opened and closed design makes it easy to install and disassemble
- Operation current range 0.1A-80A.
- Standard GB20840/ICE61869 compliant
- Built-in Voltage regulator device to avoid high voltage of secondary
- The length of secondary lead wire can be customized
- Current in mA level or safety low voltage 0.333V can be selected for output



### Dimensions & Specification Plots



P/N	LO-016-000	LO-016-010	LO-016-020	LO-016-050	LO-016-075
INPUT CURRENT	0~120A	0~10A	0~20A	0~50A	0~75A
OUTPUT SIGNAL	0~40mA	0~5mA	0~10mA	0~20mA	0~25A
P/N	LO-016-080	LO-016-100	LO-016-100	LO-016-120	LO-016-120
INPUT CURRENT	0~80A	0~100A	0~100A	0~120A	0~120A
OUTPUT SIGNAL	0~26.6mA	0~40mA	0~20mA	0~40mA	0~30mA
P/N	LO-016-030	LO-016-050	LO-016-80	LO-016-100	LO-016-120
INPUT CURRENT	0~30A	0~50A	0~80A	0~100A	0~120A
OUTPUT SIGNAL	0~0.333v	0~0.333v	0~0.333v	0~0.333v	0~0.333v

### Remarks

Top right curve plot shows the current transformers' output characteristics under different load conditions, 100Ω Max for load resistor is suggested. Middle right curve plot shows the current transformers' output characteristics at very low current value. It can be seen from the plots that CT has excellent output performance when current is above 0.1A.

# SPLIT CORE CURRENT TRANSFORMER SP-LO-T24

## PICTURES

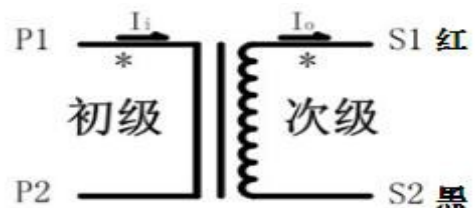
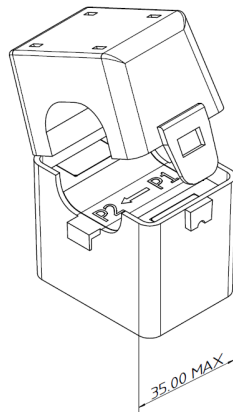
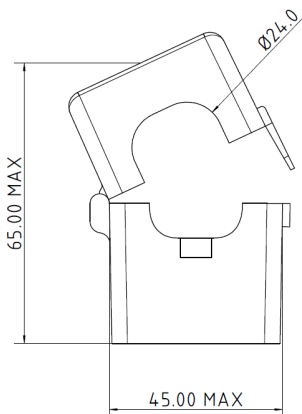


## FEATURES:

- Easily opened and closed design makes it easy to install and disassemble
- 1A & 5A output current can be selected under rated input current
- High reliability, light weight, various center hole sizes can be selected for easy installation
- Split core design makes it easy for installation and no need to switch off the system power
- Suitable volume, various sizes, suitable for different installation occasions
- Standard GB20840/ICE61869 compliant

Product Overview: In the power collection system, some measure loops can't directly get the electrical parameters. In this occasion, the parameters must be measured by the current transformer, and many measure loops can't be disconnected from the power supply. Wuxi Liou Electronic Technology Co., Ltd. Endeavored so many years to research and development, the company has continuously improved the type of transformers, and under the premise of ensuring measurement accuracy, it has continuously designed many current transformers that are more suitable for installation in different occasions.

P/N	Rated input current	Rated output current	Over load current	Lead wire length	Non-linearity tolerance (5%~120%)	
					F(I)%	$\delta(I)^\circ$
SP-LO-T24	0~300A	0~300mA Can be customized		2464 wire protection		
SP-LO-T24 100A/5A	100A	5A	120A	2.5 Sq/1 M	$\leq 1.5\%$	$\leq 1.5^\circ$
SP-LO-T24 150A/5A	150A	5A	180A	2.5 Sq/1 M	$\leq 1\%$	$\leq 1^\circ$
SP-LO-T24 200A/5A	200A	5A	240A	2.5 Sq/1 M		$\leq 0.5^\circ$
SP-LO-T24 250A/5A	250A	5A	300A	2.5 Sq/1 M		
SP-LO-T24 300A/5A	300A	5A	450A	2.5 Sq/1 M		



# SPLIT CORE CURRENT TRANSFORMER SP-LO-T36

## PICTURES

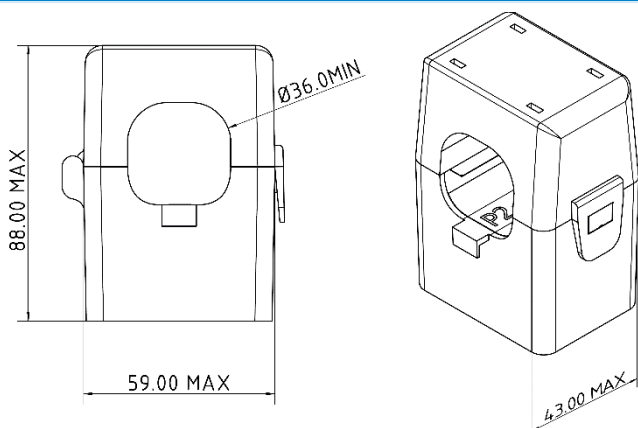


## FEATURES:

- Easily opened and closed design makes it easy to install and disassemble
- 1A & 5A output current can be selected under rated input current
- High reliability, light weight, various center hole sizes can be selected for easy installation
- Split core design makes it easy for installation and no need to switch off the system power
- Suitable volume, various sizes, suitable for different installation occasions
- Standard GB20840/ICE61869 compliant

Product Overview: In the power collection system, some measure loops can't directly get the electrical parameters. In this occasion, the parameters must be measured by the current transformer, and many measure loops can't be disconnected from the power supply. Wuxi Liou Electronic Technology Co., Ltd. Endeavored so many years to research and development, the company has continuously improved the type of transformers, and under the premise of ensuring measurement accuracy, it has continuously designed many current transformers that are more suitable for installation in different occasions.

P/N	Rated input current	Rated output current	Lead wire length	Non-linearity tolerance (5%~120%)	
				F(I)%	$\delta(I)^\circ$
SP-LO-T36	0~600A	0~200mA Can be customized	2464 wire protection		
SP-LO-T36 100A/5A	100A	5A	2.5 Sq/1 M	$\leq 1.5\%$	$\leq 1^\circ$
SP-LO-T36 150A/5A	150A	5A	2.5 Sq/1 M	$\leq 0.5\%$	$\leq 0.7^\circ$
SP-LO-T36 200A/5A	200A	5A	2.5 Sq/1 M	$\leq 0.5\%$	$\leq 0.5^\circ$
SP-LO-T36 250A/5A	250A	5A	2.5 Sq/1 M	$\leq 0.5\%$	$\leq 0.2^\circ$
SP-LO-T36 300A/5A	300A	5A	2.5 Sq/1 M	$\leq 0.5\%$	$\leq 0.2^\circ$
SP-LO-T36 400A/5A	400A	5A	2.5 Sq/1 M	$\leq 0.5\%$	$\leq 0.2^\circ$
SP-LO-T36 500A/5A	500A	5A	2.5 Sq/1 M	$\leq 0.5\%$	$\leq 0.2^\circ$
SP-LO-T36 600A/5A	600A	5A	2.5 Sq/1 M	$\leq 0.5\%$	$\leq 0.1^\circ$



# SPLIT CORE CURRENT TRANSFORMER SP-LO-T50

## PICTURES



## FEATURES:

- Easily opened and closed design makes it easy to install and disassemble
- 1A & 5A output current can be selected under rated input current
- High reliability, light weight, various center hole sizes can be selected for easy installation
- Split core design makes it easy for installation and no need to switch off the system power
- Suitable volume, various sizes, suitable for different installation occasions
- Standard GB20840/ICE61869 compliant

Product Overview: In the power collection system, some measure loops can't directly get the electrical parameters. In this occasion, the parameters must be measured by the current transformer, and many measure loops can't be disconnected from the power supply. Wuxi Liou Electronic Technology Co., Ltd. Endeavored so many years to research and development, the company has continuously improved the type of transformers, and under the premise of ensuring measurement accuracy, it has continuously designed many current transformers that are more suitable for installation in different occasions.

P/N	Rated input current	Rated output current	Lead wire length	Non-linearity tolerance (5%~120%)	
				F(I)%	$\delta(I)^\circ$
SP-LO-T50	0~1200A	0~500mA Can be customized		2464 wire protection	
SP-LO-T50 200A/5A	200A	5A	2.5 Sq/1 M	$\leq 1\%$	$\leq 1.5\%$
SP-LO-T50 400A/5A	400A	5A	2.5 Sq/1 M	$\leq 0.5\%$	$\leq 1\%$
SP-LO-T50 600A/5A	600A	5A	2.5 Sq/1 M	$\leq 0.5\%$	$\leq 0.2\%$
SP-LO-T50 800A/5A	800A	5A	2.5 Sq/1 M	$\leq 0.5\%$	$\leq 0.2\%$
SP-LO-T50 1000A/5A	1000A	5A	2.5 Sq/1 M	$\leq 0.5\%$	$\leq 0.1\%$
SP-LO-T50 1200A/5A	1200A	5A	2.5 Sq/1 M	$\leq 0.5\%$	$\leq 0.1\%$

