

LO-CTK302503 SPECIFICATION

Wuxi Liou Electronics Co.,Ltd

Email:currentsensor@126.com

www.ctsensorducer.com

1. Name: Residual current Split core Current Transformer

2. Part number: LO-CTK302503

3. Electric Specification:

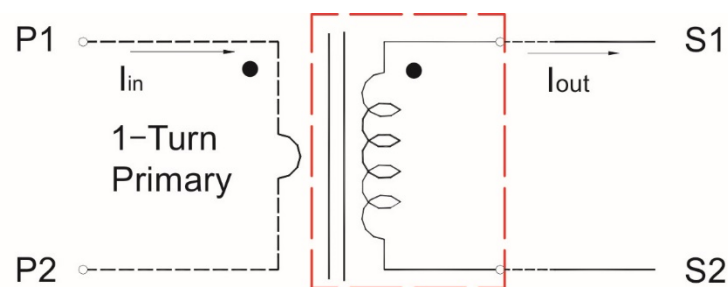
Item	Symbol	Spec	Item	Symbol	Spec
Frequency	f	50Hz-60Hz	Insulation between lines	V	1000
Rated Pri Current	I_n	1A	Insulation resistance	—	500M Ω /500V/min
Rated Sec Current	I_o	0.5mA	Hi-pot test	—	3000V _{Ac} (r.m.s)(2mA/1min)
Rated burden resistor	Ω	100			
Linearity	f	<3%	Operation temperature	Ta	-12 $^{\circ}$ C ~ +45 $^{\circ}$ C
Accuracy	—	Class 1	Storage Temperature	Ts	-20 $^{\circ}$ C ~ +75 $^{\circ}$ C
Continuous current	A	2	Secondary reactance	Ω	100 \pm 30

4. Primary and Secondary polarity designation:

4.1 Primary and Secondary designation: Passing through the middle of the coil is primary and the terminal connection board is connected to secondary

4.2 Phase designation: P1-S1 in phase, P2-S2 in phase

4.3 Schematic diagram



LO-CTK302503 SPECIFICATION

Wuxi Liou Electronics Co.,Ltd

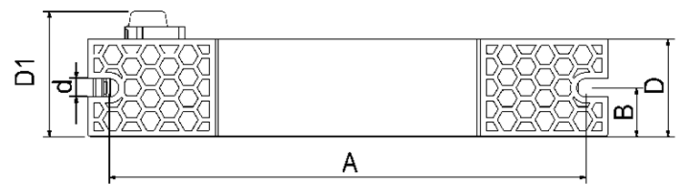
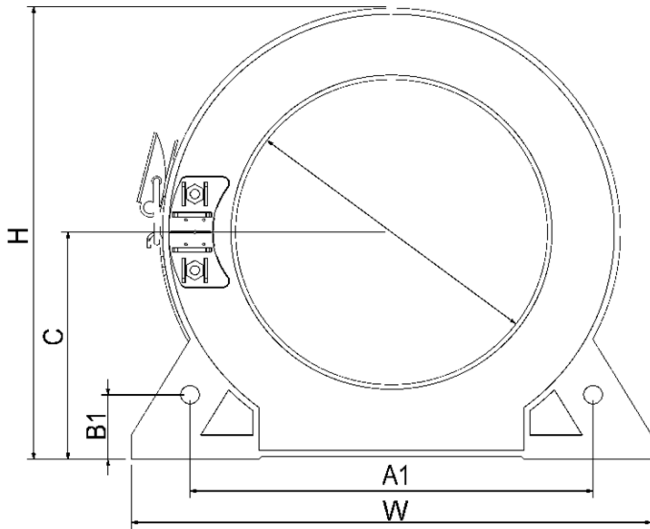
Email:currentsensor@126.com

www.ctsensorducer.com

5. Main technical requirements of current transformer:

- 1.1 Case material is black PC/ABS.
- 1.2 Secondary output through terminal connection board
- 1.3 **Dimensions:**

LO-CTK302503
LIYOU 2410



Hole dimension	Dimensions(mm)					Layout Dimensions(mm)				
	H	D	W	C	D1	A	A1	B	B1	d
Φ30mm	67	25	76	35	34	69	58	12.5	11	5