



Zero sequency current transformer

LIYOU/里欧

**Smart Grid / Energy Management / Smart Firefighting
Wind Energy / Photovoltaic Energy / Energy Storage Equipment**

Wuxi Liou Electronics Co Ltd

Professional current transformers & sensors manufacturer

*E*xpanding Possibilities

www.ctsenserducer.com

LO-MZK-10,24,35 Split-core type current transformer

Professional current transformers & sensors manufacturer

*E*xpanding Possibilities



Wuxi Liou Electronics Co Ltd
www.ctsensorducer.com

SERIES: LO-MZK



Split-core type current transformer

>Product overview

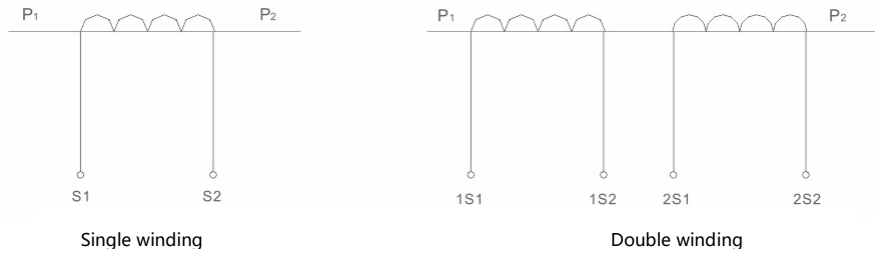
The LO-MZK series split-core current transformer is designed for use in AC power systems of 35kV and below, suitable for power supply equipment and microcomputer protection applications.

This current transformer features a compact size, lightweight design, openable structure, and easy installation. It is widely used in compact, fully insulated ring network switchgear. During installation, it can be directly clamped onto the connected incoming and outgoing cables, making the process simple and efficient.

The transformer adopts high-quality imported silicon steel sheets with high magnetic permeability as the core material, providing a split-core structure with low magnetic circuit loss. Its semi-circular core and secondary winding are vacuum-cast with high-quality epoxy resin inside a flame-retardant plastic housing, offering excellent moisture resistance, stable performance, and maintenance-free operation.

During installation, the two semi-circular cores are clamped around the phase-separated cable and secured with stainless steel straps, forming a seamless integration with the cable for a neat and aesthetically pleasing appearance.

>Schematic Diagram

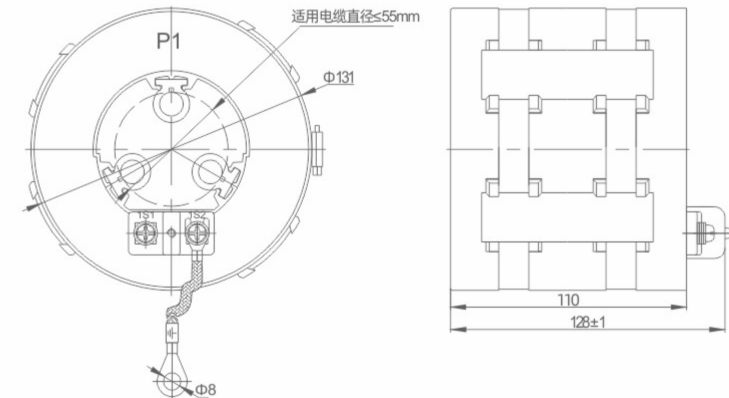


>Electrical specifications:

Electrical specifications	
Rated Frequency	50 or 60Hz
Rated output current	5A or 1A
Rated continuous thermal current	120% I _n
Accuracy class	0.5, 1.0, 3.0 (Measuring) 10P5, 10P10, 10P15 (Protection)
Pollution Class	III
Shell material	PA/PC Flame retardant UL94V-0
Core material	Grain oriented silicon steel sheet
Altitude	<=2000M
Operating temperature	-25 °C ~ +40 °C
Dielectric strength	3.75KVAC/Min

Purpose	Measuring current transformer			Protective current transformer			Compositive winding current transformer			
	Accuracy Class and rated burden			Accuracy Class and rated burden			Accuracy Class and rated burden (VA)			
Current ratio (A)	0.5	1	3	10P5	10P10	10P15	0.5	1	10P5	10P10
50/1			2.5	1.5						
75/1		2.5	3.75	2.5	1.5					
100/1		3.75	5	3.75	2.5	1.5		2.5	2.5	
150/1	2.5	5	5	5	3.75	2.5		3.75	3.75	1.5
200/1	5	7.5	7.5	5	5	3.75	2.5	5	3.75	2.5
300/1	5	7.5	7.5	7.5	7.5	5	3.75	5	5	3.75
400/1	7.5	10	10	10	10	7.5	5	7.5	7.5	5
500/1	10	10	15	15	10	7.5	7.5	10	7.5	5
600/1	15	15	15	15	10	10	10	10	10	7.5
75/5		2.5	5	2.5	2.5					
100/5		3.75	7.5	3.75	2.5			2.5	2.5	
150/5	2.5	5	10	5	3.75			3.75	3.75	1.5
200/5	5	7.5	10	7.5	5	2.5	2.5	5	3.75	2.5
300/5	5	7.5	10	10	7.5	3.75	3.75	5	5	3.75
400/5	10	15	15	10	10	5	5	7.5	7.5	5
500/5	15	15	15	15	10	7.5	7.5	10	7.5	5
600/5	15	15	15	15	10	7.5	10	10	10	7.5

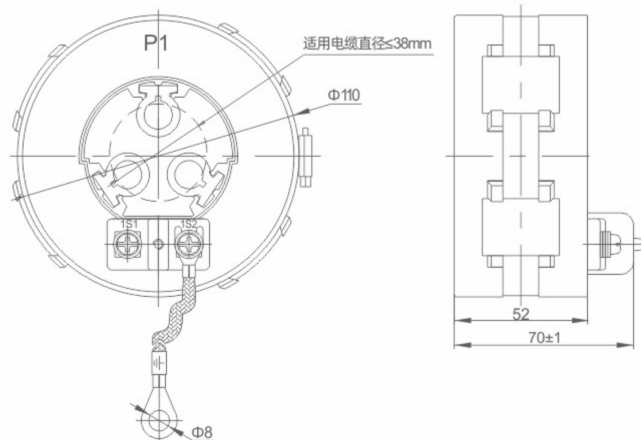
>Dimensions:



LO-MZK2 Split-core type current transformer

Purpose	Measuring current transformer			Protective current transformer		
	Accuracy Class and rated burden			Accuracy Class and rated burden		
	0.5	1	3	10P5	10P10	10P15
75/1			2.5			
100/1		2.5	3.75	1.5		
150/1		3.75	5	2.5		
200/1	2.5	5	5	3.75	1.5	
300/1	5	7.5	7.5	5	2.5	
400/1	5	7.5	7.5	7.5	3.75	1.5
500/1	7.5	10	10	10	5	2.5
600/1	10	10	15	15	7.5	3.75
75/5			2.5			
100/5		2.5	3.75	2.5		
150/5	2.5	3.75	5	3.75	1	
200/5	5	5	7.5	3.75	2	
300/5	5	7.5	10	5	2.5	
400/5	7.5	10	15	7.5	3.75	
500/5	7.5	15	15	7.5	3.75	1.5
600/5	10	15	15	10	5	2.5

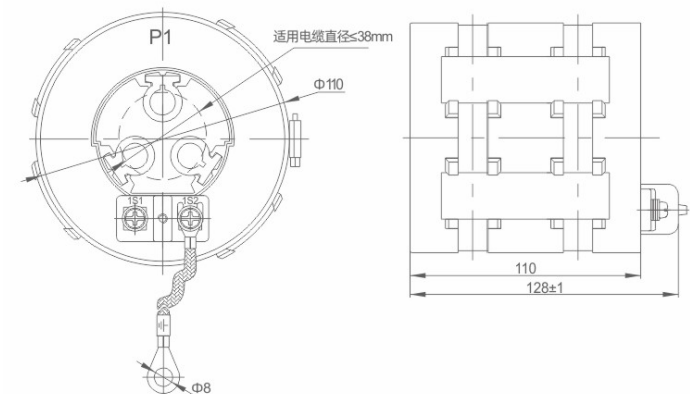
>Dimensions:



LO-MZK3 Split-core type current transformer

Purpose	Measuring current transformer			Protective current transformer			Compositive winding current transformer				
	Accuracy Class and rated burden			Accuracy Class and rated burden			Accuracy Class and rated burden (VA)				
	0.5	1	3	10P5	10P10	10P15	0.5	1	10P5	10P10	
50/1			2.5	1.5							
75/1		2.5	3.75	2.5	1.5						
100/1	2.5	3.75	5	3.75	2.5	1.5		2.5	2.5		
150/1	2.5	5	5	5	3.75	2.5		3.75	3.75	1.5	
200/1	5	7.5	7.5	5	5	3.75	2.5	5	3.75	2.5	
300/1	5	7.5	7.5	7.5	7.5	5	3.75	5	5	3.75	
400/1	7.5	10	10	10	10	7.5	5	7.5	7.5	5	
500/1	10	10	15	15	10	7.5	7.5	10	7.5	5	
600/1	15	15	20	15	10	10	10	10	10	7.5	
75/5		2.5	5	2.5	2.5						
100/5	2.5	3.75	7.5	3.75	2.5			2.5	2.5		
150/5	2.5	5	10	5	3.75			3.75	3.75	1.5	
200/5	5	7.5	10	7.5	5	2.5	2.5	5	3.75	2.5	
300/5	5	7.5	10	10	7.5	3.75	3.75	5	5	3.75	
400/5	10	15	15	10	10	5	5	7.5	7.5	5	
500/5	15	15	15	15	10	7.5	7.5	10	7.5	5	
600/5	15	15	15	15	10	7.5	10	10	10	7.5	

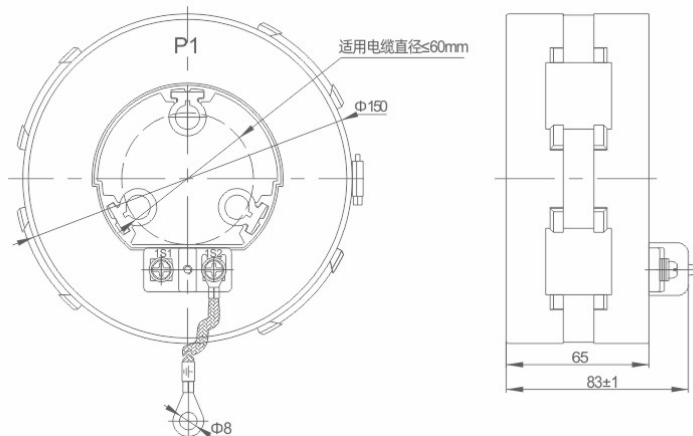
Dimensions:



LO-MZK4 Split-core type current transformer

Purpose	Measuring current transformer			Protective current transformer		
	Accuracy Class and rated burden			Accuracy Class and rated burden		
	0.5	1	3	10P5	10P10	10P15
100/1			2.5	2.5		
150/1		2.5	3.75	3.75		
200/1	2.5	3.75	5	5	3.75	
300/1	2.5	5	7.5	7.5	5	2.5
400/1	5	5	7.5	10	7.5	3.75
500/1	7.5	10	10	15	10	5
600/1	10	10	15	20	15	7.5
100/5			2.5	2.5		
150/5		2.5	3.75	3.75		
200/5		3.75	5	5	2.5	
300/5	2.5	5	7.5	7.5	3.75	
400/5	5	7.5	10	10	5	2.5
500/5	7.5	10	15	15	7.5	3.75
600/5	10	15	20	20	10	5

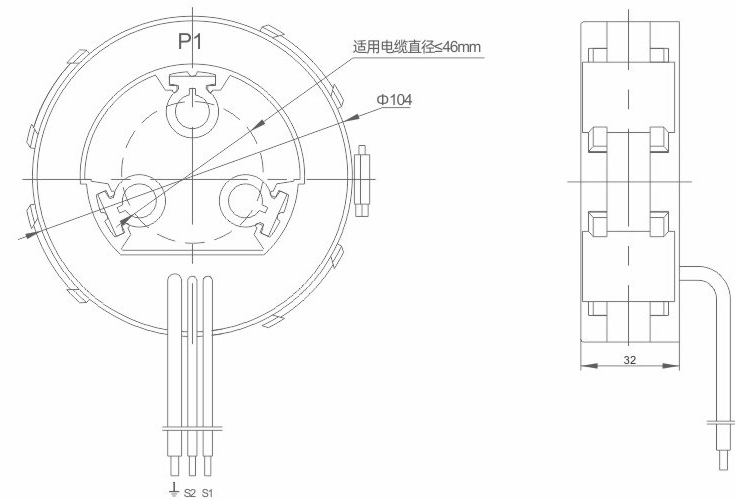
>Dimensions:



LO-MZK5 Split-core type current transformer

Purpose	Measuring current transformer			Protective current transformer		
	Accuracy Class and rated burden			Accuracy Class and rated burden		
	0.5	1	3	10P5	10P10	10P15
300/1			2.5			
400/1		2.5	3.75			
500/1	2.5	3.75	5	2.5		
600/1	3.75	5	7.5	2.5		
300/5			2.5			
400/5		2.5	3.75			
500/5	2.5	3.75	5	2.5		
600/5	3.75	5	7.5	2.5		

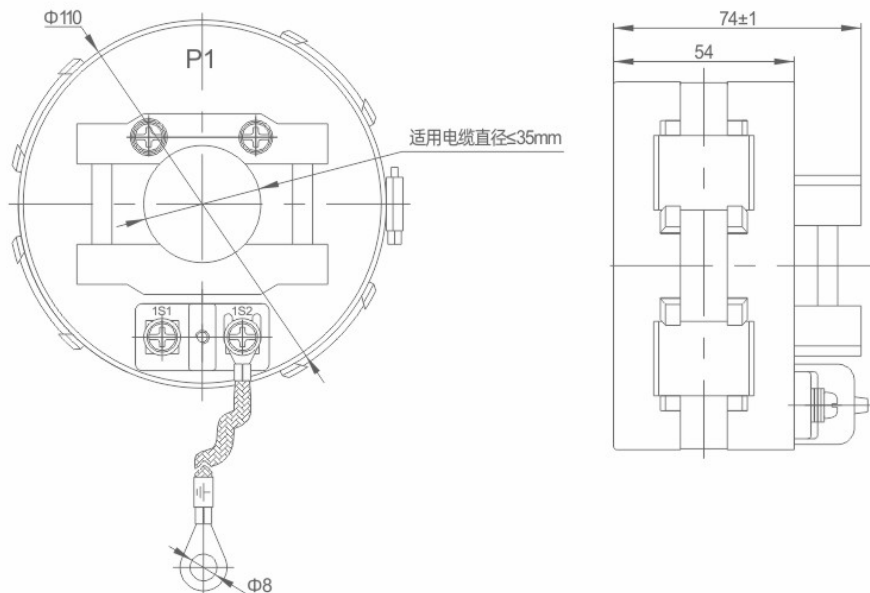
>Dimensions:



LO-MZK6 Split-core type current transformer

Purpose	Measuring current transformer		Protective current transformer	
Current ratio (A)	Accuracy Class and rated burden		Accuracy Class and rated burden	
	1	3	10P5	10P10
20/1		0.5		
30/1		0.5		
40/1		1	1	
50/1	1	2.5	2.5	
75/1	1.5	3.75	3.75	2.5
100/1	2.5	3.75	5	3.75
40/5		2.5		
50/5		2.5	2.5	
75/5	2.5	3.75	3.75	
100/5	3.75	5	5	2.5

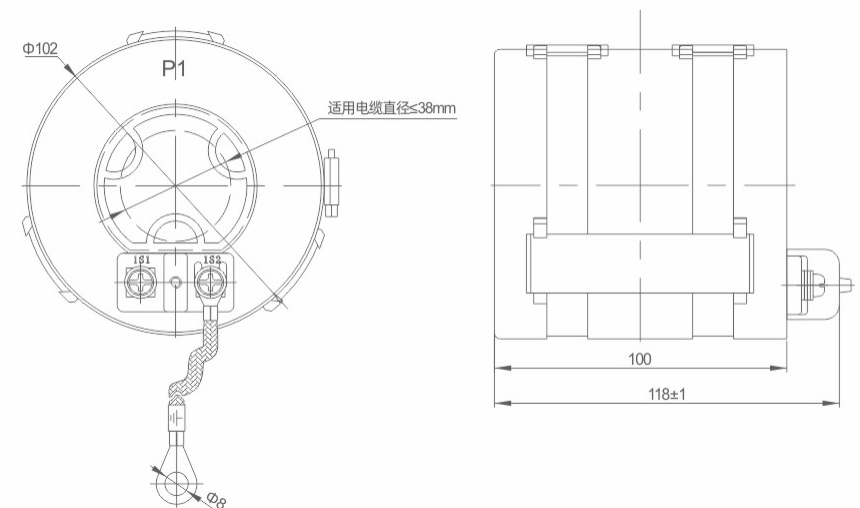
>Dimensions:



LO-MZK7 Split-core type current transformer

Purpose	Measuring current transformer			Protective current transformer			Compositive winding current transformer			
Current ratio (A)	Accuracy Class and rated burden			Accuracy Class and rated burden			Accuracy Class and rated burden (VA)			
	0.5	1	3	10P5	10P10	10P15	0.5	1	10P5	10P10
100/1			2.5	1.5						
150/1		2.5	3.75	2.5	1.5					
200/1	1	2.5	5	3.75	2.5			2.5	2.5	
300/1	2.5	5	7.5	5	3.75			3.75	3.75	1.5
400/1	5	7.5	10	7.5	5	2.5	2.5	5	3.75	2.5
500/1	5	7.5	10	10	7.5	3.75	3.75	5	5	3.75
600/1	7.5	10	15	15	10	5	5	7.5	7.5	5
100/5		2.5	3.75	2.5						
150/5		3.75	5	3.75	2.5			2.5	1.5	
200/5	2.5	5	7.5	5	3.75			3.75	2.5	1.5
300/5	5	7.5	10	7.5	5	2.5	2.5	5	3.75	2.5
400/5	5	7.5	15	10	7.5	3.75	3.75	5	5	3.75
500/5	10	15	15	15	10	5	5	7.5	7.5	5
600/5	15	15	15	15	10	7.5	7.5	10	7.5	5

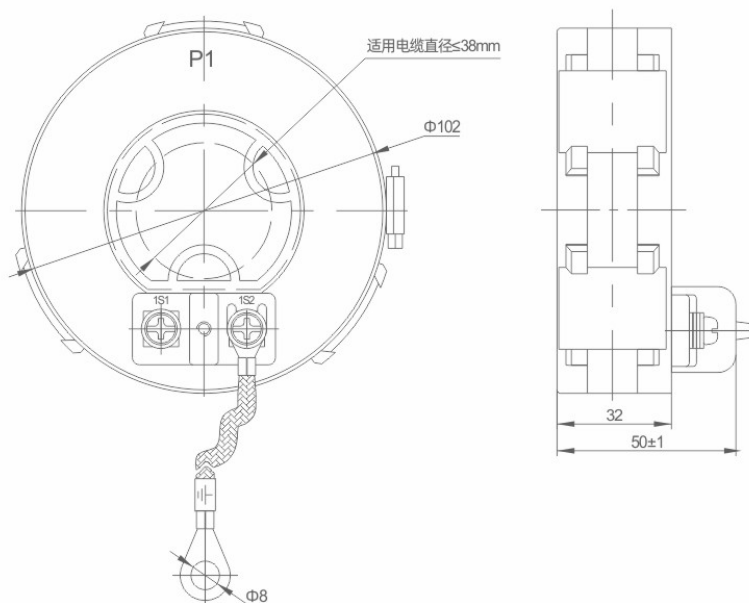
Dimensions:



LO-MZK8 Split-core type current transformer

Purpose	Measuring current transformer		
Current ratio (A)	Accuracy Class and rated burden		
	0.5	1	3
300/1		2.5	3.75
400/1	2.5	3.75	5
500/1	3.75	5	7.5
600/1	5	7.5	10
300/5		2.5	5
400/5	5	5	7.5
500/5	5	7.5	10
600/5	7.5	10	15

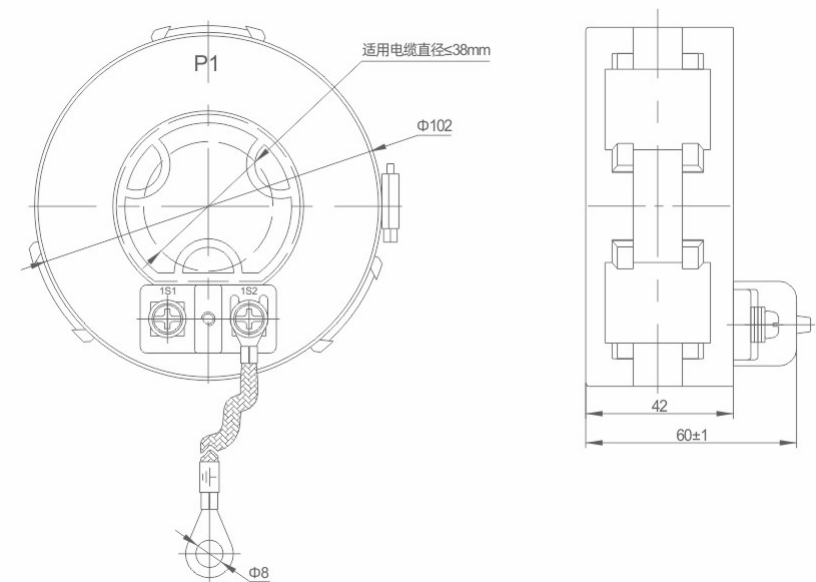
>Dimensions:



LO-MZK9 Split-core type current transformer

Purpose	Measuring current transformer		
Current ratio (A)	Accuracy Class and rated burden		
	0.5	1	3
300/1		2.5	3.75
400/1	3.75	5	5
500/1	5	5	7.5
600/1	5	7.5	10
300/5	2.5	2.5	5
400/5	5	5	7.5
500/5	7.5	7.5	10
600/5	10	10	15

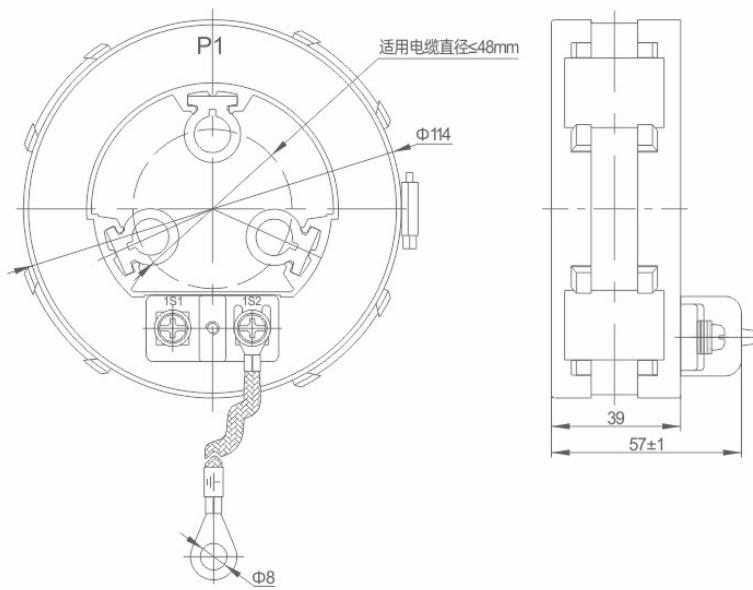
>Dimensions:



LO-MZK10 Split-core type current transformer

Purpose	Measuring current transformer		
Current ratio (A)	Accuracy Class and rated burden		
	0.5	1	3
300/1			2.5
400/1	2.5	2.5	5
500/1	3.75	3.75	5
600/1	5	5	7.5
300/5			2.5
400/5	2.5	2.5	5
500/5	3.75	3.75	5
600/5	5	5	7.5

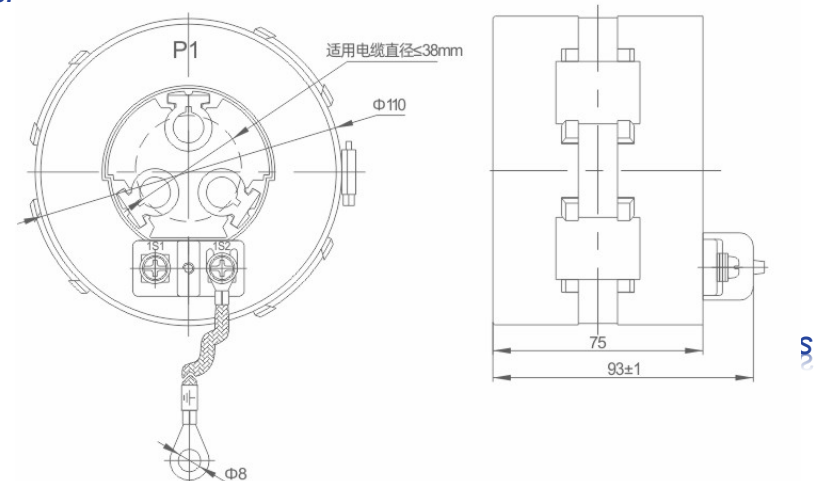
>Dimensions:



LO-MZK11 Split-core type current transformer

Purpose	Measuring current transformer			Protective current transformer			Compositive winding current transformer			
Current ratio (A)	Accuracy Class and rated burden			Accuracy Class and rated burden			Accuracy Class and rated burden (VA)			
	0.5	1	3	10P5	10P10	10P15	0.5	1	10P5	10P10
75/1			2.5							
100/1	1	1	2.5	2.5						
150/1	1	2.5	3.75	2.5						
200/1	2.5	2.5	5	5	2.5					
300/1	3.75	5	7.5	7.5	3.75			2.5		2.5
400/1	5	7.5	10	10	5	2.5	2.5	3.75	2.5	5
500/1	7.5	10	15	10	7.5	3.75	3.75	5	2.5	5
600/1	10	15	15	15	10	5	5	7.5	3.75	7.5
100/5			2.5	2.5						
150/5		2.5	3.75	3.75						
200/5	2.5	3.75	5	5	2.5					
300/5	5	7.5	7.5	7.5	3.75	2.5		2.5		2.5
400/5	7.5	10	10	10	5	3.75	2.5	3.75	1.5	3.75
500/5	10	12.5	15	10	7.5	3.75	3.75	5	2.5	5
600/5	15	15	15	15	10	5	5	7.5	3.75	7.5

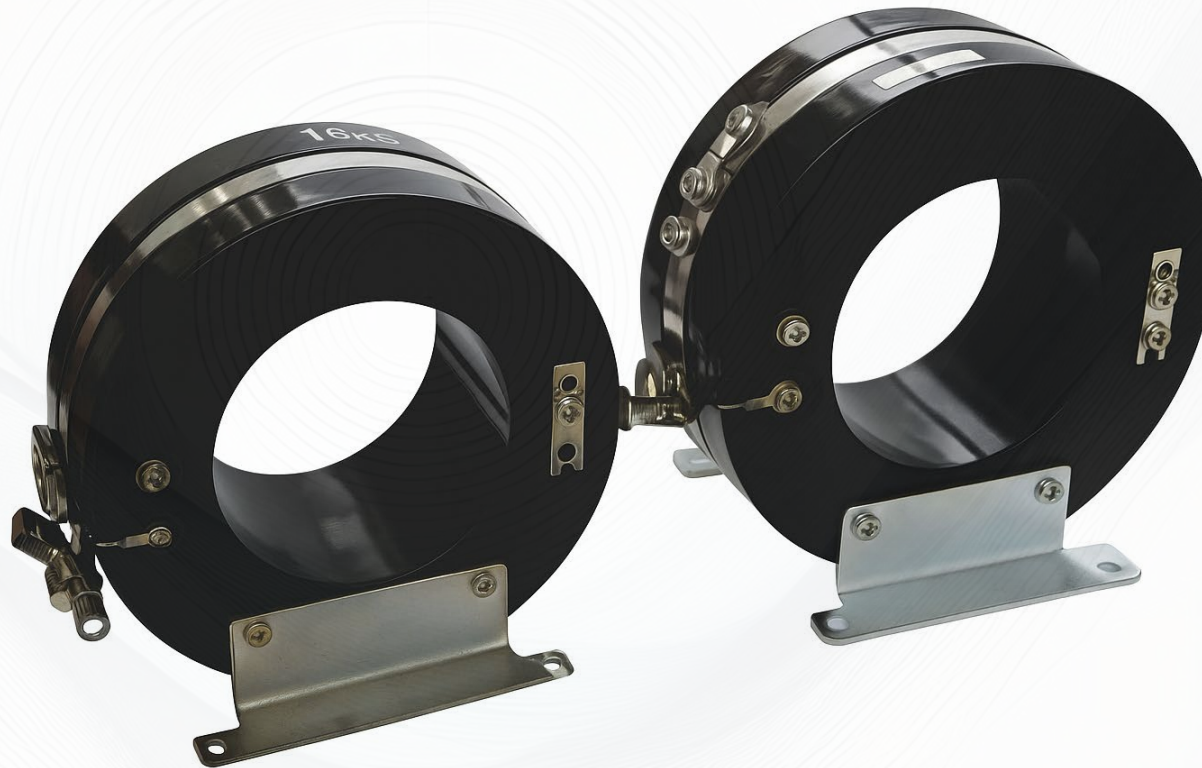
Dimensions:



LO-LXK Split-core type zero sequency current transformer

*E*xpanding Possibilities

Professional current transformers & sensors manufacturer

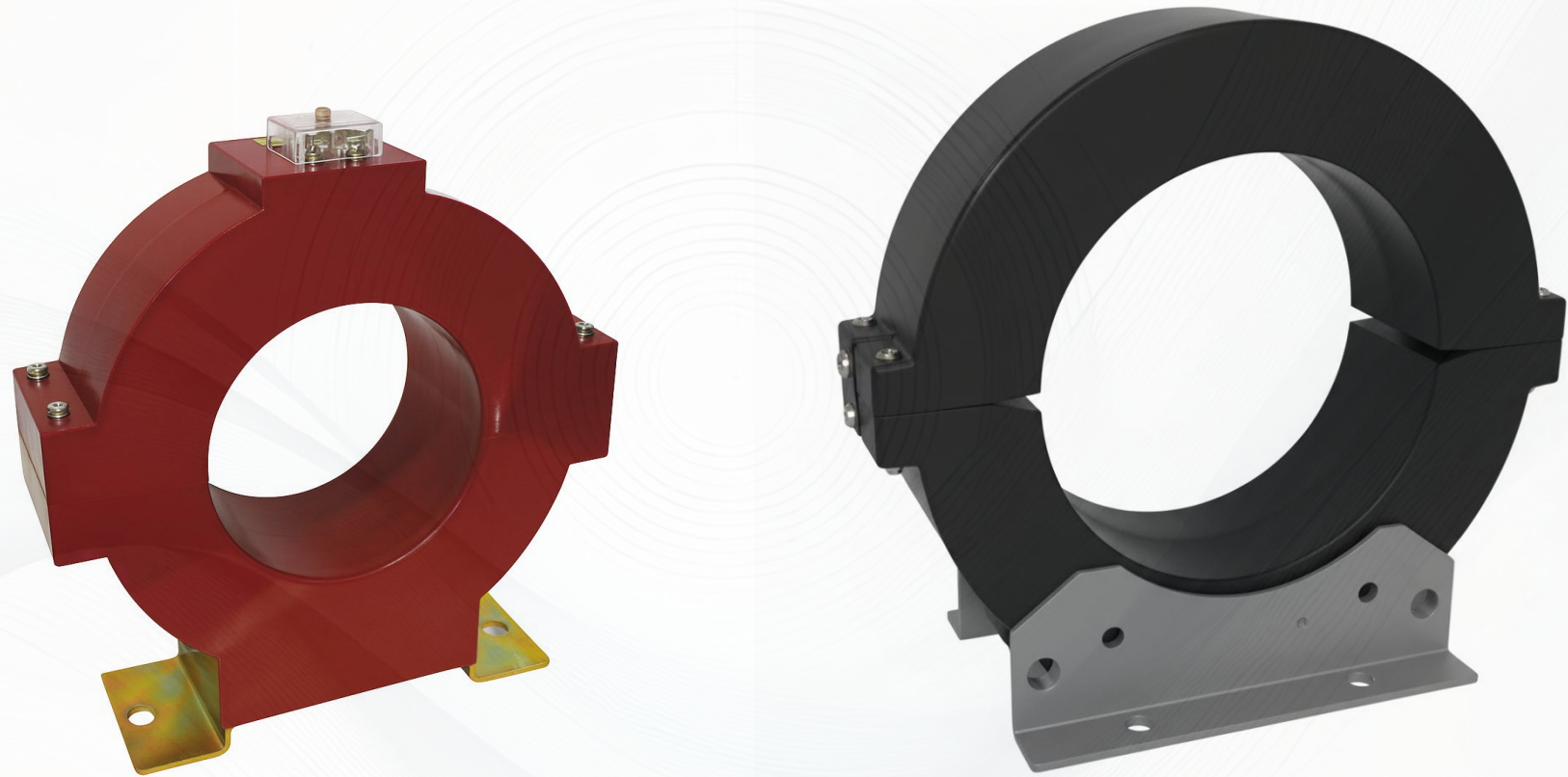


Wuxi Liou Electronics Co Ltd
www.ctsensoreducer.com

*E*xpanding Possibilities

LO-LXK Split-core type zero sequence current transformer

Professional current transformers & sensors manufacturer



Wuxi Liou Electronics Co Ltd
www.ctsensorducer.com

SERIES: LO-LXK



Split-core type zero sequence current transformer

>Product overview

The LXK series zero-sequence current transformers are suitable for use in AC power systems, including distribution lines, AC generators, motors, and other electrical equipment, for zero-sequence overcurrent protection and small-current grounding line selection devices.

This series adopts high-quality imported silicon steel sheets, which are processed with a special technique to form a toroidal core. The transformers feature high accuracy and a high accuracy limit factor. The core and secondary windings are vacuum cast with high-quality epoxy resin inside a flame-retardant plastic housing, providing excellent moisture resistance, stable performance, and maintenance-free operation. They are compact, lightweight, and space-saving. The LXK series split-core zero-sequence current transformers consist of two semicircular rings, which can be easily installed on already connected cables. This design allows for convenient installation, a neat appearance, and reliable performance.

>Application

- Electrical fire monitoring system
- Fire equipment power supply monitoring system
- Intelligent power system
- Smart grid, substation transformation
- Environmental protection detection
- Neutral grounding monitoring Relay
- Motor protection system
- Generator protection

>Electrical specifications:

Electrical specifications	
Rated Frequency	50 or 60Hz
Rated output current	5A or 1A
Rated continuous thermal current	120% I _n
Accuracy class	0.5, 1.0, 3.0 (Measuring) 10P5, 10P10, 10P15 (Protection)
Pollution Class	III
Shell material	PA/PC Flame retardant UL94V-0
Core material	Grain oriented silicon steel sheet
Altitude	<=2000M
Operating temperature	-25℃ ~ +40℃
Dielectric strength	3.75KVAC/Min

LO-LXK-80/100/120 SEPCS						
Purpose	Measuring current transformer			Protective current transformer		
Current ratio (A)	Accuracy Class and rated burden			Accuracy Class and rated burden		
	0.5	1	3	10P5	10P10	10P15
30/1			0.5	0.5		
40/1			1	1	0.5	
50/1			1.5	1.5		
75/1			2.5	2.5	1	
100/1			2.5	3.75	2.5	
150/1			3.75	3.75	2.5	
200/1		2.5	5	7.5	3.75	
300/1		3.75	7.5	10	5	2.5
400/1	2.5	5	10	12.5	7.5	3.75
500/1	3.75	7.5	15	15	7.5	3.75
600/1	5	10	20	20	10	5
50/5			2.5			
75/5			2.5	2.5		
100/5		2.5	5	5	2.5	
150/5		2.5	5	5	2.5	
200/5		3.75	7.5	7.5	3.75	
300/5		3.75	7.5	10	5	2.5
400/5	2.5	5	10	12.5	7.5	3.75
500/5	3.75	7.5	15	15	7.5	3.75
600/5	5	10	20	20	10	5

Remark: Can be customized according to customer requirements.

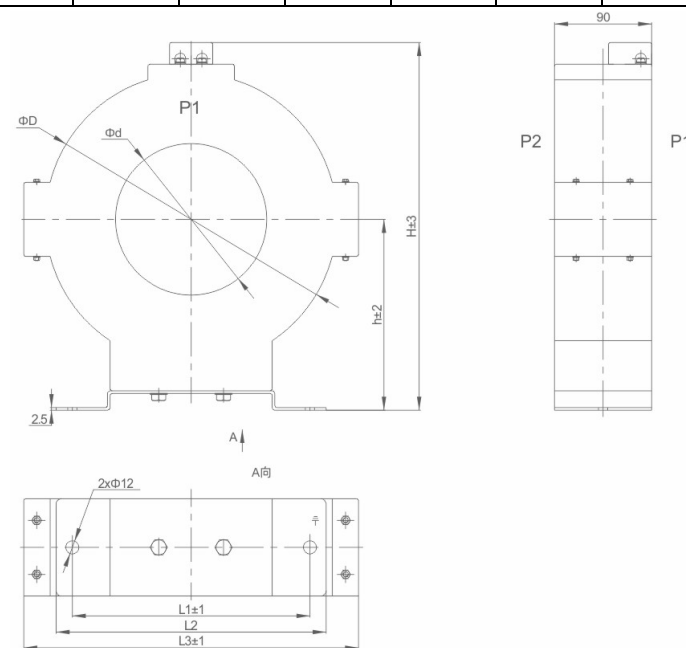
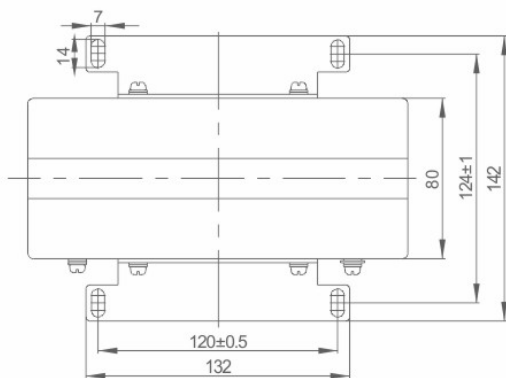
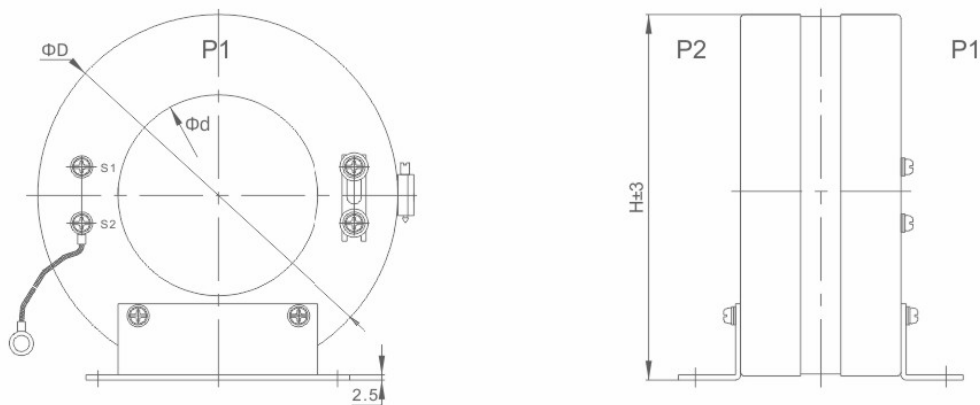
>Dimensions:

P/N	$\varnothing d$ (mm)	$\varnothing D$ (mm)	H(mm)
LO-LXK-80	80	160	162
LO-LXK-100	100	180	182
LO-LXK-120	120	210	212

LO-LXK-120XJ/140XJ/150XJ/160XJ/180XJ/200XJ SPECS			
P/N	Rated current ratio (A)	Accuracy Class	Rated burden (VA)
LO-LXK-120XJ	50~100/1	1	1, 2.5, 3.75, 5
LO-LXK-140XJ	150~300/1		2.5, 3.75, 5, 7.5
LO-LXK-150XJ	400~600/1	3	3.75, 5, 10, 15
LO-LXK-160XJ	50~100/5	10P5	2.5, 3.75, 5
LO-LXK-180XJ	150~300/5	10P10	2.5, 3.75, 5, 10
LO-LXK-200XJ	400~600/5	10P15	5, 10, 15, 20

>Dimensions (Unit: mm)

P/N	$\varnothing d$	$\varnothing D$	h	H	L1	L2	L3
LO-LXK-120XJ	120	230	139	290	180	210	268
LO-LXK-140XJ	140	270	175	340	220	250	310
LO-LXK-150XJ	150	270	175	340	220	250	310
LO-LXK-160XJ	160	270	175	340	220	250	310
LO-LXK-180XJ	180	336	196	400	220	250	380
LO-LXK-200XJ	200	336	196	400	220	250	380



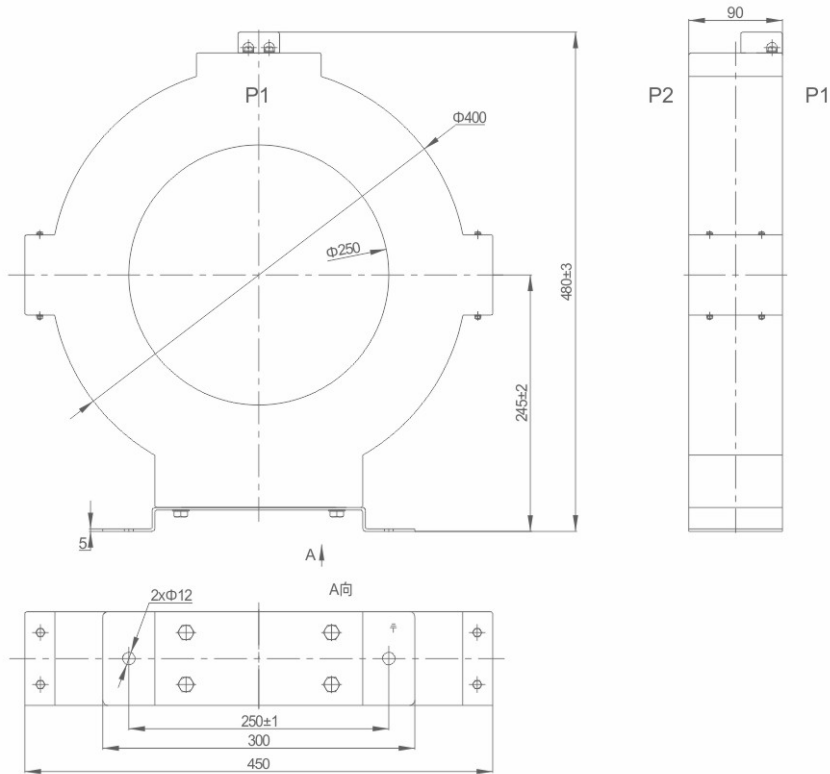
Expanding possibilities

www.ctsensorducer.com

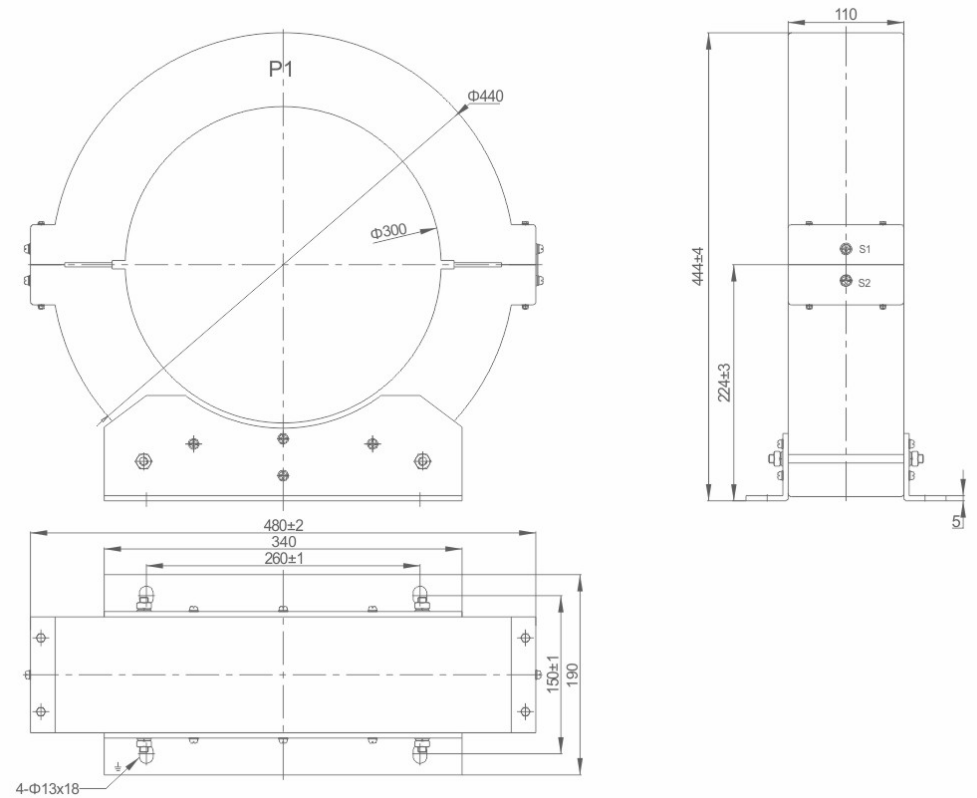
LO-LXK-250XJ SPECS			
P/N	Rated current ratio (A)	Accuracy Class	Rated burden (VA)
LO-LXK-250XJ	50~100/1	1	1, 2.5, 3.75, 5
	150~300/1		2.5, 3.75, 5, 7.5
	400~600/1	3	3.75, 5, 10, 15
	50~100/5	10P5	2.5, 3.75, 5
	150~300/5	10P10	2.5, 3.75, 5, 10
	400~600/5	10P15	5, 10, 15, 20

LO-LXK-300 SPECS			
P/N	Rated current ratio (A)	Accuracy Class	Rated burden (VA)
LO-LXK-300	50~100/1	1	1, 2.5, 3.75, 5
	150~300/1		2.5, 3.75, 5, 7.5
	400~600/1	3	3.75, 5, 10, 15
	50~100/5	10P5	2.5, 3.75, 5
	150~300/5	10P10	2.5, 3.75, 5, 10
	400~600/5	10P15	5, 10, 15, 20

>Dimensions (Unit: mm)



>Dimensions (Unit: mm)



LO-LXZ Zero sequence current transformer

Professional current transformers & sensors manufacturer

*E*xpanding Possibilities



SERIES: LO-LXZ



Rectangular zero sequence current transformer

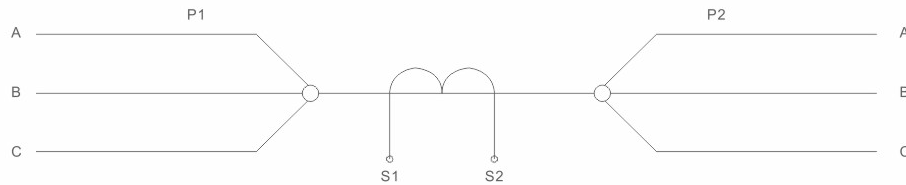
>Product overview

The LXZ zero-sequence current transformer is used for zero-sequence current detection and single-phase grounding protection in 10 kV three-phase AC power distribution lines. It has been widely used in VSP5 line switches and features a “watchdog” function.

This current transformer uses high-quality imported silicon steel sheets with high magnetic permeability as the magnetic core material, ensuring high accuracy. The core and secondary winding are vacuum-cast with high-grade epoxy resin, providing moisture resistance, excellent insulation performance, and maintenance-free operation.

According to differences in current ratio, accuracy class, and rated burden, this series of current transformers is divided into several types. Detailed parameters can be found in the specification table corresponding to each model.

>Schematic Diagram

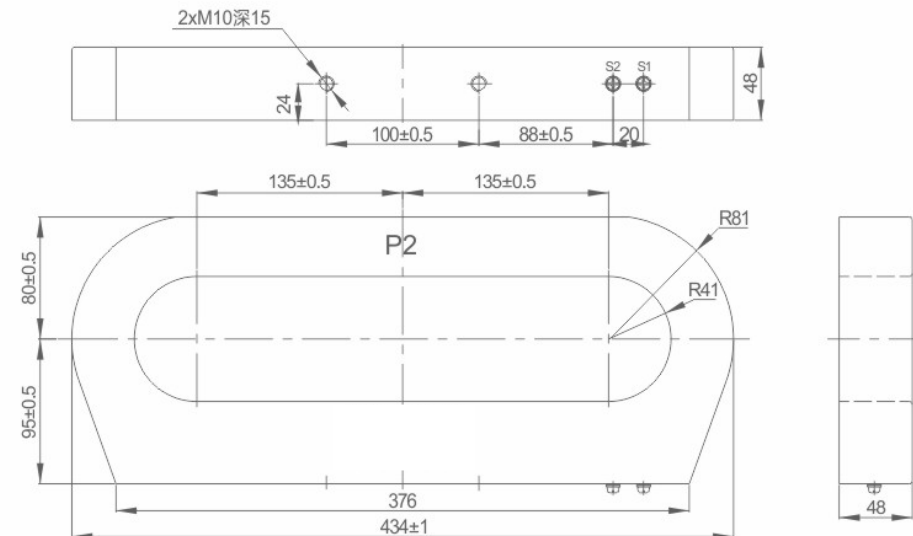


>Electrical specifications:

Electrical specifications	
Rated Frequency	50 or 60Hz
Rated output current	5A or 1A
Rated continuous thermal current	120% I _n
Accuracy class	0.5, 1.0, 3.0 (Measuring) 10P5, 10P10 (Protection)
Pollution Class	III
Shell material	PA/PC Flame retardant UL94V-0
Core material	Grain oriented silicon steel sheet
Altitude	<=2000M
Operating temperature	-25 °C ~ +40 °C
Dielectric strength	3.75KVAC/Min

Purpose	Measuring current transformer			Protective current transformer	
	Accuracy Class and rated burden			Accuracy Class and rated burden	
Current ratio (A)	0.5	1	3	10P5	10P10
20/1			0.5	0.5	
30/1			1	1	0.5
40/1			1	1.5	1
50/1			1.5	2.5	1
75/1			2.5	3.75	2.5
100/1		2.5	5	5	3.75
200/1		3.75	7.5	7.5	3.75
300/1	2.5	5	10	10	5
100/5			2.5	2.5	
150/5		2.5	3.75	5	2.5
200/5		3.75	5	7.5	3.75
300/5	2.5	5	10	10	5

>Dimensions:



LO-ASG Measuring & Protection current transformer

Professional current transformers & sensors manufacturer

*E*xpanding Possibilities



SERIES: LO-ASG



Measuring & Protection current transformer

>Product overview

The LO-ASG Series Current Transformer is designed with a composite alloy magnetic core featuring high magnetic permeability and low saturation characteristics. This ensures excellent measurement precision, strong anti-interference capability, and stable long-term performance. The transformer is encapsulated with high-quality epoxy resin inside a durable plastic housing, providing superior insulation, flame-retardant properties, compact size, and light weight structure with no maintenance required. Its circular through-hole structure allows the CT to securely clamp around incoming or outgoing power cables, making installation quick and reliable. With options for single-ratio and dual-ratio designs, as well as different accuracy classes and rated currents, the LO-ASG series offers versatility for a wide range of power monitoring and protection applications.

>Applications

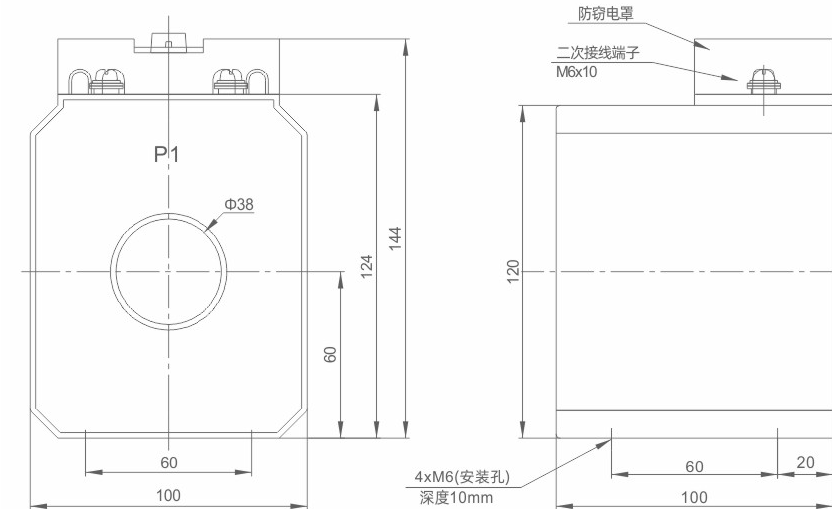
- Power distribution systems
- Switchgear and circuit breaker panels
- Industrial automation equipment
- Transformer and substation protection in medium- and low-voltage networks
- Motor control centers (MCCs) for overload and fault protection
- Energy management systems and power quality monitoring devices

>Electrical specifications:

Electrical specifications	
Rated Frequency	50 or 60Hz
Rated output current	5A or 1A
Rated continuous thermal current	120% I _n
Accuracy class	0.5, 1.0, 3.0 (Measuring) 10P5, 10P10 (Protection)
Pollution Class	III
Shell material	PA/PC Flame retardant UL94V-0
Core material	Grain oriented silicon steel sheet
Altitude	≤2000M
Operating temperature	-25 °C ~ +40 °C
Dielectric strength	3.75KVAC/Min

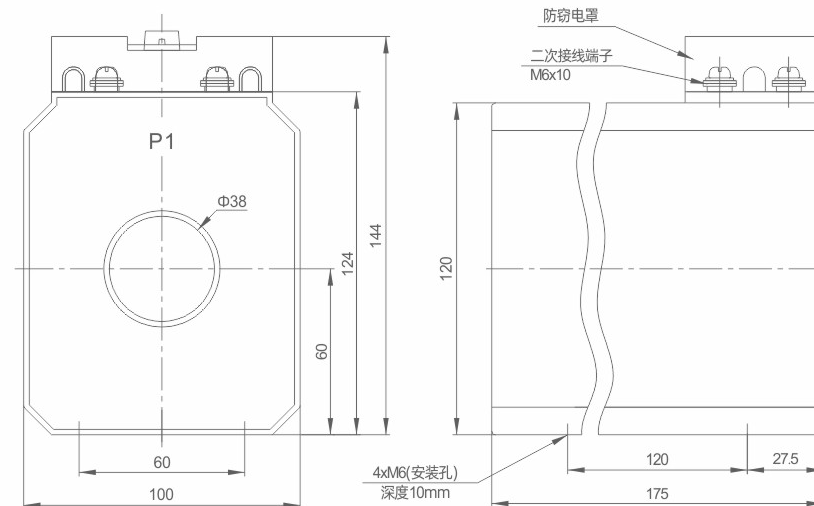
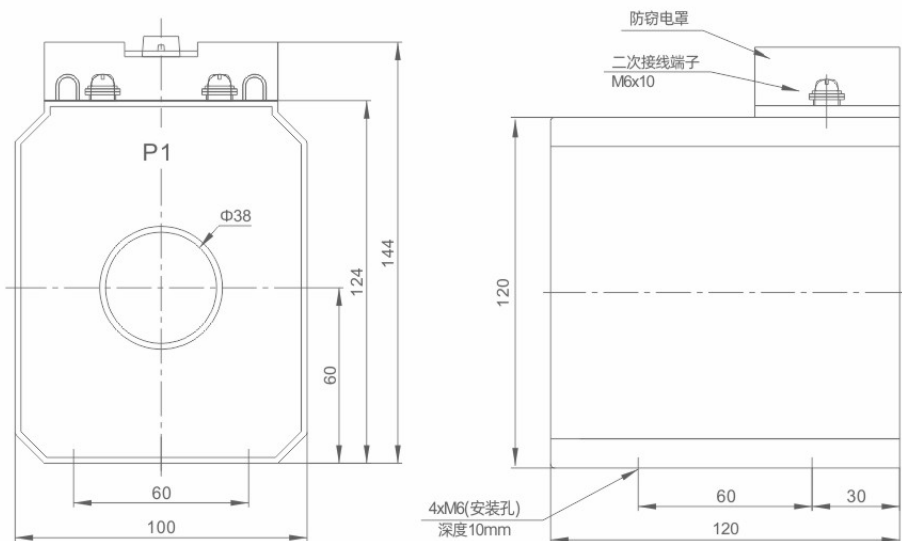
LO-ASG100/38-10A				
Purpose	Measuring current transformer		Protective current transformer	
Current ratio (A)	Accuracy Class	Rated burden	Accuracy Class	Rated burden
20-50/1	0.5S, 0.5, 1, 3	1, 2.5, 3, 7.5, 5	10P5, 10P10, 10P15	1, 2.5
75-200/1		1, 2.5, 3, 7.5, 5, 7.5, 10		1, 2.5, 3, 7.5, 5, 7.5, 10
30-50/5	0.5S, 0.5, 1, 3	1, 2.5	10P5, 10P10, 10P15	1, 1.5
75-200/5		1, 2.5, 3, 7.5, 5, 7.5, 10		1, 2.5, 3, 7.5, 5, 7.5

>Dimensions:



LO-ASG100/38-10B							LO-ASG100/38-10C						
Purpose	Measuring current transformer		Protective current transformer		Composite current transformer		Purpose	Measuring current transformer		Protective current transformer		Composite current transformer	
Current ratio (A)	Accuracy Class	Rated burden	Accuracy Class	Rated burden	Accuracy Class	Rated burden	Current ratio (A)	Accuracy Class	Rated burden	Accuracy Class	Rated burden	Accuracy Class	Rated burden
20-50/1	0.5S,0.5,1,3	1,2.5,3.75,5	10P5,10P10,	1,2.5	0.5/10P5	1/2.5/2.5	20-50/1	0.2S/0.5S/0.5	1,2.5,3.75,5	10P5,10P10,	1,2.5,3.75	0.5/10P10	1/2.5/2.5/5.5
75-200/1		1,2.5,3.75,5,7.5,10	10P15	1,2.5,3.75,5,7.5,10	0.5/10P10		0.5/10P20						
30-50/5	0.5S,0.5,1,3	1,2.5	10P5,10P10,	1,1.5	0.5/10P5	2.5/2.5/5	75-200/1	0.2S/0.5S/0.5	1,2.5,3.75,5,7.5,10	10P15	1,2.5,3.75,5,7.5,10	0.5S/10P10	2.5/2.5/5
75-200/5		1,2.5,3.75,5,7.5,10	10P15	1,2.5,3.75,5,7.5	0.5/10P10		0.2S/10P10						
							30-50/5	0.2S/0.5S/0.5	1,2.5	10P5,10P10,	1,1.5,2.5	0.5/10P10	2.5/2.5/5
							75-200/5		1,2.5,3.75,5,7.5,10	10P15	1,2.5,3.75,5,7.5,10	0.5/10P20	
												0.5S/10P10	
												0.2S/10P10	

>Dimensions:



About us

Quality Standard and Custom Design Products

LIOU Current Transformer has been an industry leader in design and production of current transformer products for over 20 years. Our focus is to build quality products designed to meet your needs. You may choose from any of our standard products or we can design and build a custom solution specifically for your application.

Designed, Manufactured and Distributed From One Location

Every aspect of your order is handled in house allowing us the opportunity to design, manufacture and ship your current transformer product quickly. Each order is reviewed by one of our qualified engineers to make sure the product you are ordering will work for you.

Superior Goals and Higher Expectations

It is the goal of LIOU Current Transformer to maintain its position as a worldwide industry leader in current transformer design and production. We will accomplish this by providing you with quality products and services that meet or exceed your current and future expectations.

Our Objective Is For You to Have Full Confidence in LIOU Current Transformer.

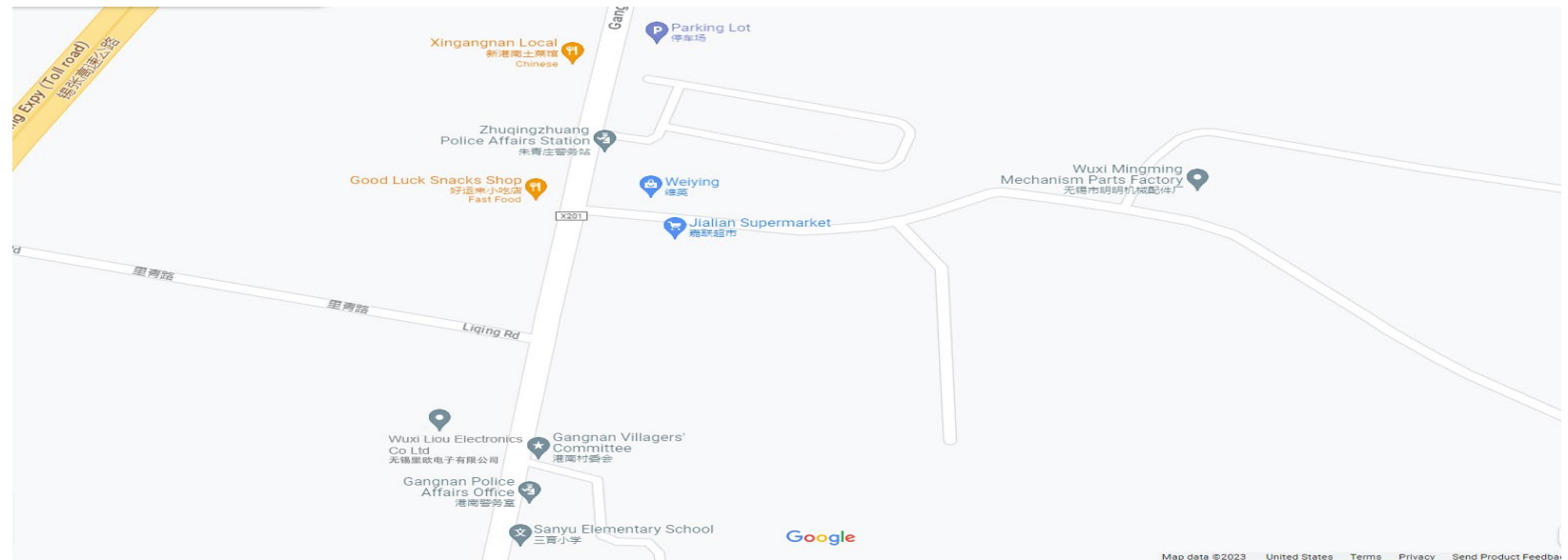
Each employee, at every level within the company, understands your satisfaction is fundamental to our growth and long-term development. LIOU Current Transformer believes that this level of quality will be achieved by:

- 1.A Total Quality Management approach. Every employee, supplier and customer is regarded as an essential part of the quality achievement process.
- 2.An error-free performance standard, based on prevention and development of a "Get It Right The First Time" work environment.
- 3.Implementation and maintenance of a quality assurance process that includes a hands on inspection of all your products during the manufacturing process with a final quality inspection prior to shipping.
- 4.Adhering to safety standards.
- 5.Development of all employees through continued training.

We look forward to demonstrating to you the superior quality and customer service our customers have come to expect from LIOU Current Transformer.

Contact us

Allan Yue
Sales Manager
Wuxi Liou Electronics Co.,Ltd
www.ctsensorducer.com



currentsensor@126.com
lioutronics@wxliou.com



Whatsapp/Cell phone
+86 15371097096



www.ctsensorducer.com
www.wxliou.com

